

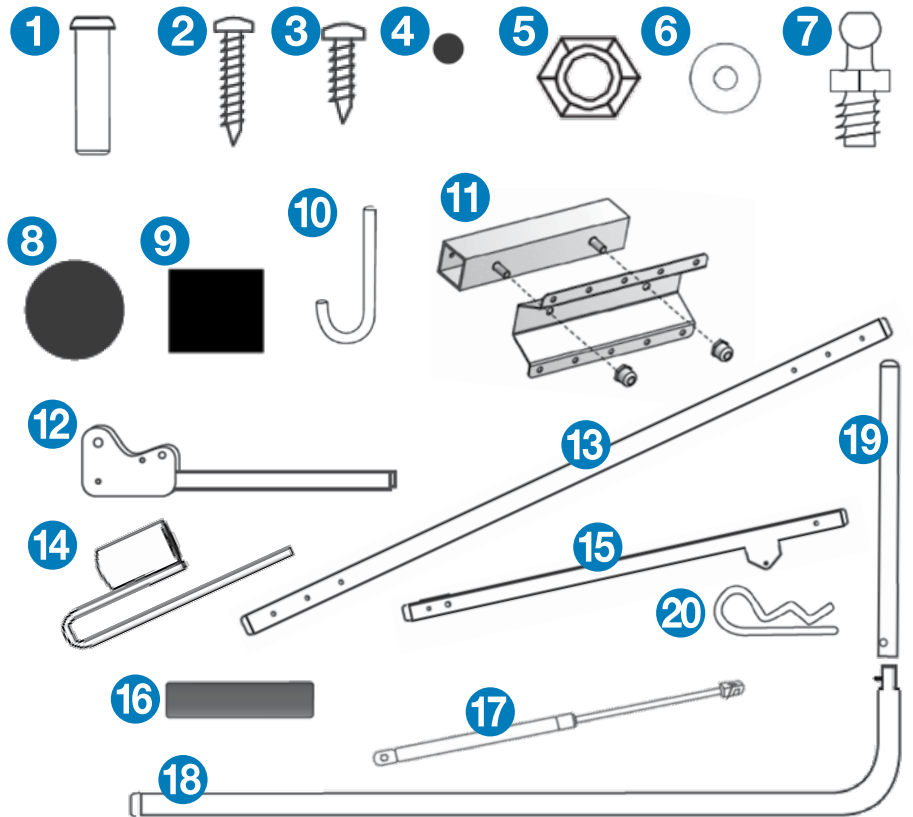
# How to install your **Ultralift Hydraulic Mount** Cover Lifter



This is your step by step guide to installing the Ultralift Hydraulic Mount Cover Lifter on to your hot tub or spa. Begin by opening the box your cover lifter came in and check the contents against the installation guide to ensure you have all the components required.

## PARTS LIST:

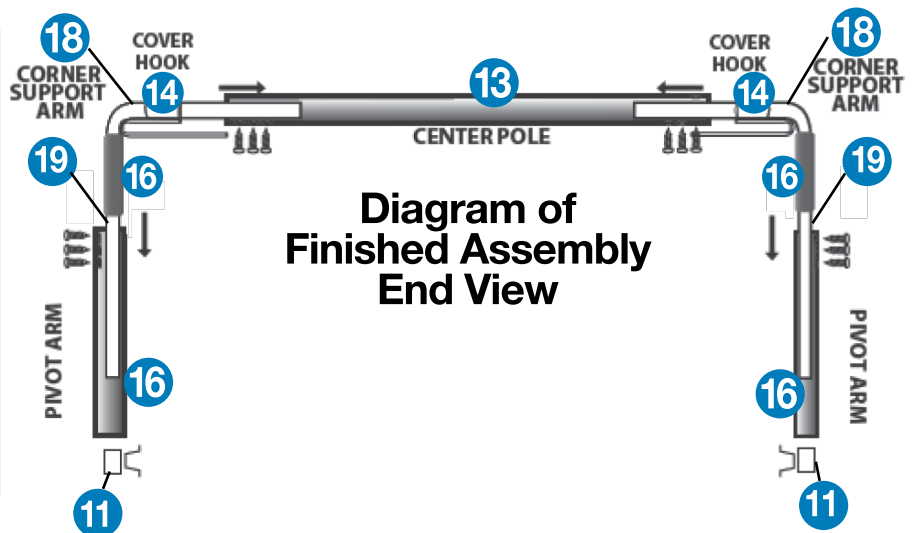
- 1 2X Bolt Pins
- 2 20X No.10 - 1 inch Cross Slot or Phillips Wood Screws
- 3 26X No.10 - 5/8 inch Cross Slot or Phillips Self-Tapping Screws
- 4 46X Black Plastic Screw Head Caps
- 5 4X 5/16 inch NYLON Lock Nuts
- 6 4X NYLON Washers
- 7 4X Ball Studs
- 8 2X Round Black Plastic Caps
- 9 2X Square Black Plastic Caps
- 10 1X "J" Hook Pin
- 11 2X Mounting Bracket Assemblies (including the Slim Top Bracket)
- 12 2X Sliding Pivot Brackets
- 13 1X Center Pole
- 14 2X Cover Hooks
- 15 2X Pivot Arms w/ Ball Stud Bracket
- 16 2X Foam Grips
- 17 2X Hydraulic Arm
- 18 2X Corner Support Arms
- 19 2X Short Support Arms
- 20 2X Clevis (Cotter) Pins



## TOOLS LIST:

- 6 Foot Tape Measure
- Ratchet Wrench
- 5/16" Socket Bit
- 5/16" Open End Wrench
- Cordless Power Screwdriver or drill
- A number of Cross Slot or Phillips screw driver bits.
- Needle Nose Pliers
- Small Flat Head Screwdriver

**Now you are set to start the install of your new Cover Lifter...**



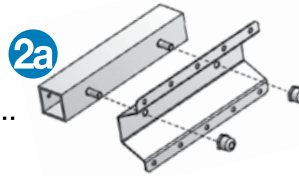
## Step One:

- 1a) Ensure that the hot tub is 16 inches or more out from any wall, obstruction or fence this provides ample clearance for your cover to sit into once your cover lifter is installed.
- 1b) Place your hot tub cover squarely over the hot tub and in the position you would like it to open. We recommend that you have your cover open from the equipment pack (Topside Control) end. This ensures that you are not mounting brackets to doors or panels that may need to be removed to access heater and pumps.
- 1c) Now begin by inserting the two (2) Round Plastic Caps **8** into the open ends of the Round Pivot Arms.
- 1d) Then insert the two (2) Plastic Square Caps **9** into the open ends of the Slider Pivot Brackets.
- 1e) Then install the Foam Grips **16** onto the corner support arms, first lubricating the interior of the Foam Grips for easier application. **Installation Tip:** Rub the inside rim of the foam grips with dish soap to lubricate them making it easier to slide them into place.
- 1f) Assemble the Corner Support Arm **18** inserting it into the Short Support Arm **19** using three (3) No. 10 5/8 Self Taping Screws **3**. Repeat this assembly and create a second complete arm.

## Step Two:

With your cover in the closed position begin the next step...

- 2a) Assemble the two piece Mounting Bracket **11** using two 5/16 inch NCW Lock Nuts **5** as shown.
- 2b) Place the Mounting Bracket Assembly **11** at the edge of where the corner radius begins and at the flap edge of your cover. Then install the Mounting Bracket Assembly to the cabinet using the supplied 1 1/4 inch No.10 Self-Taping Wood Screws **2**. Repeat the same process on the opposite side.

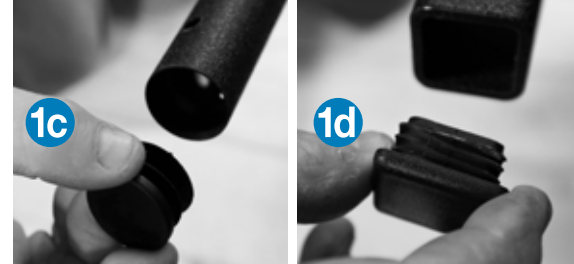
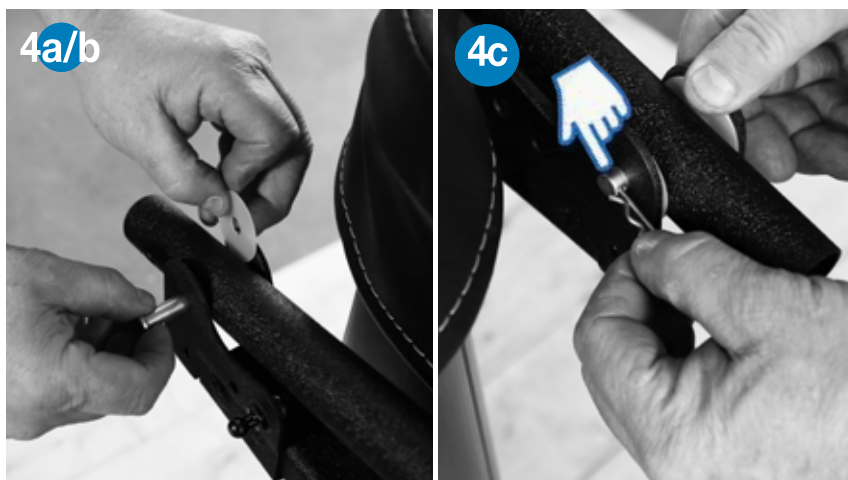


## Step Three:

- 3a) Insert the Sliding Pivot Bracket **12** arm into the Mounting Bracket Assembly **11** and position it so the back of the Sliding Pivot Bracket lines up with the back edge of the hot tub.
- Installation Tip:** Use the Center Post **13** as a straight edge to mark the back edge of the hot tub and slide the Sliding Pivot Bracket **12** back till it touches the Center Post - now its in position. Now secure both Sliding Pivot Brackets using the No.10 5/8 inch Self-Taping Screws **3**.
- 3b) Install the Ball Studs **7** on to the Slider Pivot Brackets **12** ensuring that they face away from the hot tub as shown.
  - 3c) Its time to slide the Cover Hooks **14** as shown here on to the long arm of the Corner Support Arm Assembly **18 19**. Make sure the Cover Hooks are facing in on each side of the hot tub.
  - 3d) Now slide the Long Arm of the Corner Support Arm Assembly **18 19** into the Center Post **13** and repeat this on the opposite end of the Center Post using the other Corner Support Arm Assembly.

## Step Four:

- 4a) Then align the second hole from the bottom of the Pivot Arm **15** with the top hole in the Sliding Pivot Bracket **12**.
- 4b) Position the Nylon Washers **6** on either side of the pivot arm and bracket. Then secure them into place by sliding through the Bolt Pin **1**.
- 4c) Secure the Bolt Pin **1** into place using the Clevis Pin **20** (Cotter Pin). Repeat this step on the opposite side of the hot tub.

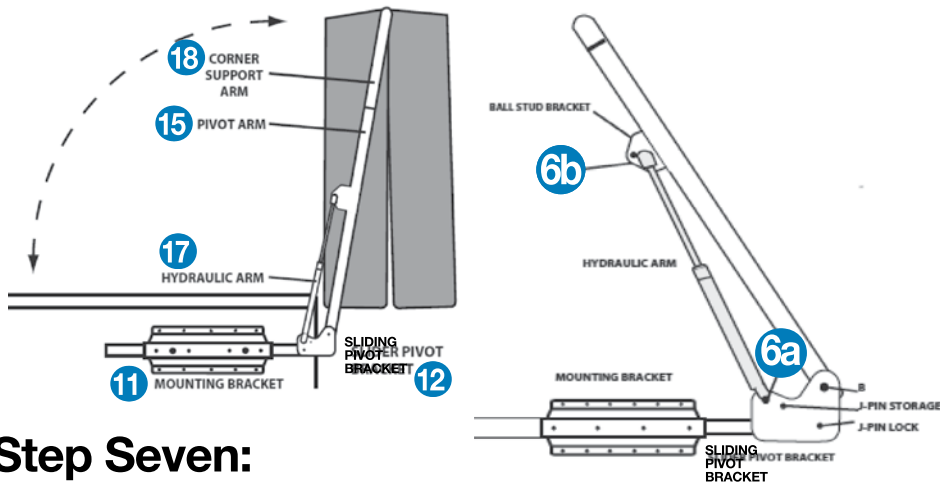


## Step Five:

- 5a) Once this is complete check to make sure that the Center Pole 13 that crosses over the cover is 1 inch back of the center folding seam on the lifter side and that the Pivot Arms 15 are 1.5 inches out from the cabinet on both sides of the hot tub.
- 5b) Then on the side of the hot tub secure the Pivot Arm 15 with three (3) No.10 5/8" inch Self-Taping Screws 3.
- 5c) Then step back and make sure that the Pivot Arms 15 are still 1.5 inches out from the hot tub and the Center Pole 13 is sitting 1 inch back of the centre seam. If so, finish securing the Pivot Arm 15 on the opposite side of the hot tub.
- 5d) Now place a protective layer of card board under the Center Pole 13 and rotate the Center Pole so that the screw holes are facing the rear of your hot tub - not on the top or the bottom of the pole once in position secure the arm using three No.10 5/8" inch Self-Taping Screws 3. Repeat this step on the opposite end of the Center Pole.

## Step Six:

- 6a) Now open the Hot Tub Cover to the up right position and attach the larger end of the Hydraulic Arm 17 to the Ball Stud 7 now installed on the Slider Pivot Bracket 12 by pressing the fitting over the end of the Ball Stud itself.
- 6b) Then move up so that the opposite end of the Hydraulic Arm 17 meets the Ball Stud 7 also now installed on the Slider Pivot Arm 16. Repeat these steps on the opposite side of the hot tub.
- Tip:** If you ever need to remove the Hydraulic Arm 17 gently pry the half circle caller to release the spring from the ball stud.



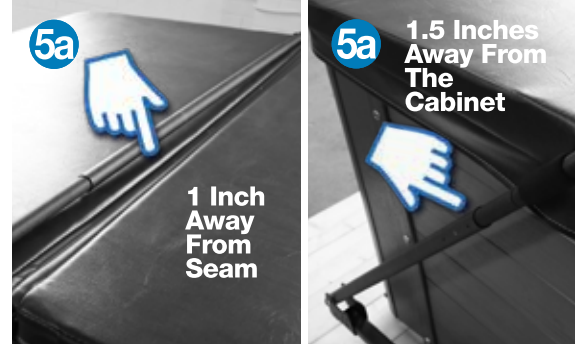
## Step Seven:

You are almost there...

- 7a) Cover the Self-Taping Screws 3 and Wood Screws 2 with the Black Plastic Covers that snap over the heads of each screw, finishing the look.
- 7b) Then install the J-Hook 10 into the Sliding Pivot Bracket 12 in the open position hole with the cover up this ensures some added safety and when the cover is down move the J-Hook to the "Closed" position hole.

## You have now installed your Ultralift Hydraulic Mount Cover Lifter.

**Remember...** Remember to always fold back your cover before using the Cover Lifter to lift the cover into its final resting place - this ensures a longer life for your cover and Cover Lifter extending your enjoyment of your hot tub.



# Ultralift Hydraulic Mount Cover Lifter Warranty



## THE WARRANTY:

SMP Specialty Metal Products Inc. warrants to you (the original purchaser) for the stated warranty term of FIVE YEARS (60 Months) from the original date of purchase, to be free from defects in material and workmanship.

Ultralift Cover Lifters will be free from defects in materials or workmanship that would cause the lifter to be inoperable in normal working conditions. Any claim made within these terms for Five years from the date of purchase will be repaired or replaced at the option of the Manufacturer.

This is a 100% Non-Prorated Warranty on all parts for the full 5 years. Only parts excluded from the warranty are the gas springs which include a 100% One Year Warranty.

## EXCLUSIONS TO WARRANTY

- Lifter has been subjected to alteration, misuse or repairs by anyone other than an authorized representative of the Manufacturer, unless written approval is provided
- Damage caused by improper installation or during transportation from the seller to the purchaser
- Any damage resulting from any misuse, abuse, negligence, accident or alteration, environmental, or use during high winds.

The warranty covers the operational use of the lifter but does not cover scratches, abrasions, rusting or any defects to the finish of the material caused by or resulting from the exposure to the environmental factors; i.e. sun, rain, chemicals or any defects resulting from normal fading or minor deterioration.

The warranty does not cover damage resulting from abuse or accidents, including but not limited to the following damage:

- Use of abrasive or unapproved cleaners that could cause surface damage
- Subjection to solvents or other chemicals which could deteriorate painted surfaces
- Use for any other purpose than as a Spa or Hot tub cover lifter

## MAKING A CLAIM:

To make a warranty claim; in the event of a defect covered by this warranty for Ultralift, contact the original retail seller and provide original purchase receipt, any photo(s) clearly showing the defect(s) and an explanation. **NO RETURNS OF MERCHANDISE WILL BE ACCEPTED UNTIL A "RETURN AUTHORIZATION NUMBER" HAS BEEN ISSUED.**

The lifter will be repaired or replaced at the discretion of the Manufacturer. If necessary, the purchaser is responsible to ship any said parts back to the manufacturer. The warranty includes all Labor costs performed at the manufacturer's facility but not labor in the field. SMP will cover the cost(s) to repair and/or replacement of the items back to the retailer or seller.

## FREIGHT DAMAGE:

Any materials damaged in freight will be replaced by SMP Specialty Metal Products provided the purchaser files the appropriate claims form with the carrier, and submits copies to the manufacturer within five (5) business days of receiving the damaged merchandise. All claims should also be reported to the seller.

## Consequential Damages:

SMP Specialty Metal Products Inc. will not be liable for any loss, expense, or damage other than to Ultralift, that may result from a defect in materials or workmanship. This warranty does not cover incidental damages including damage to property or injury arising from the use or inability to use this product. Manufacturer or Seller shall in no event be liable for any amount in excess of the original purchased amount. (Some Provinces / States do not allow the exclusion or limitation of incidental or consequential damages, so the above mentioned limitation may not apply to you).

It is important that you report to the Retailer from whom you purchased Ultralift, any defects as soon as they are detected. If it is impractical to report any defects to the Retailer,

**CONTACT** SMP Specialty Metal Products Inc. 326 Watline Avenue, Mississauga, Ontario Canada, L4Z 1X2;  
Phone: 1-800-597-1343, Email: [info@theUltralift.com](mailto:info@theUltralift.com)